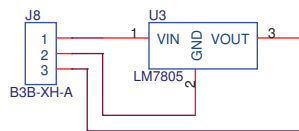
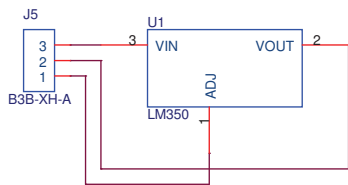
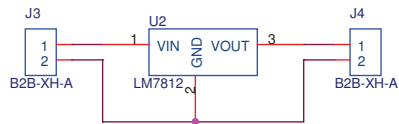
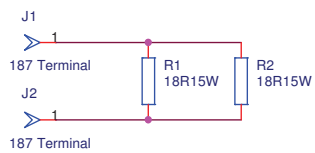
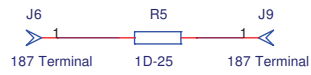
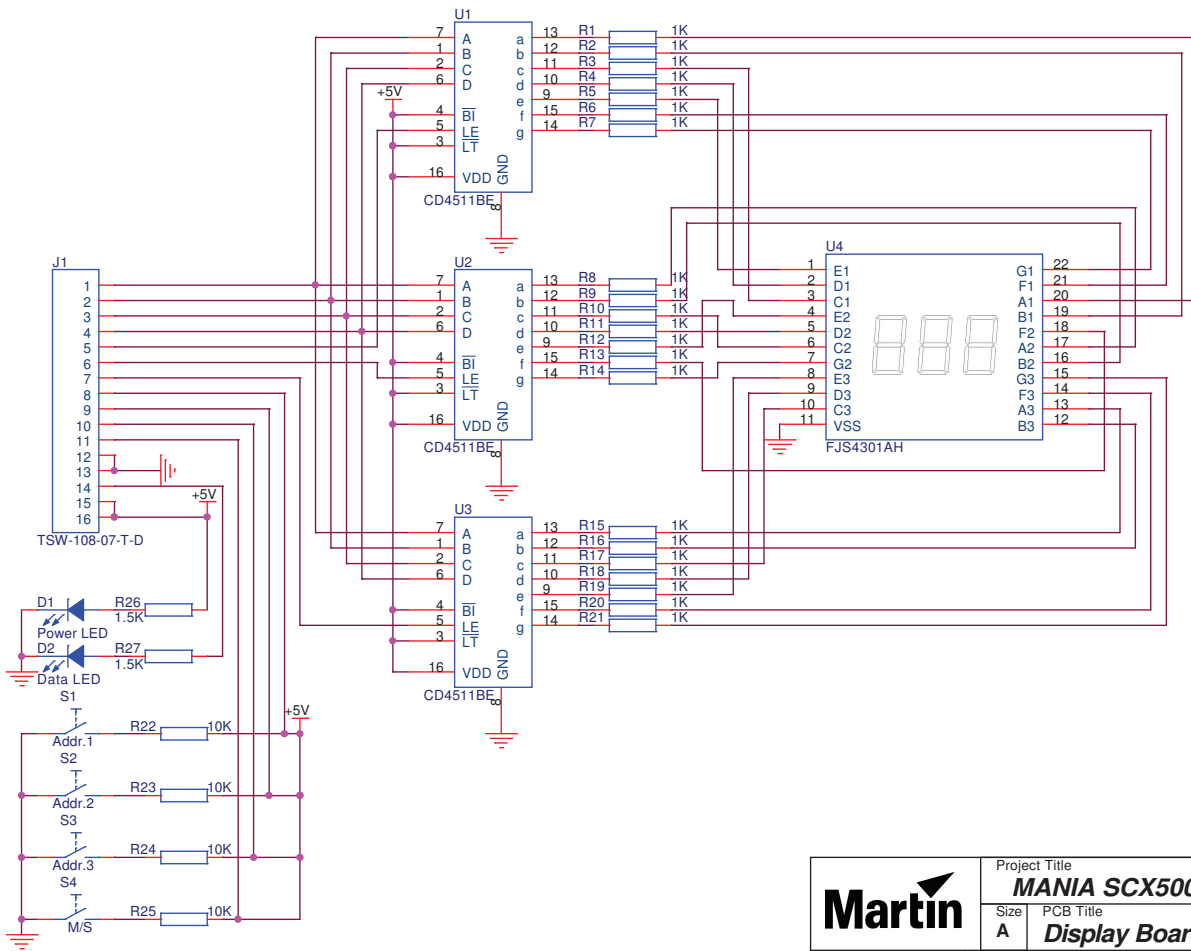


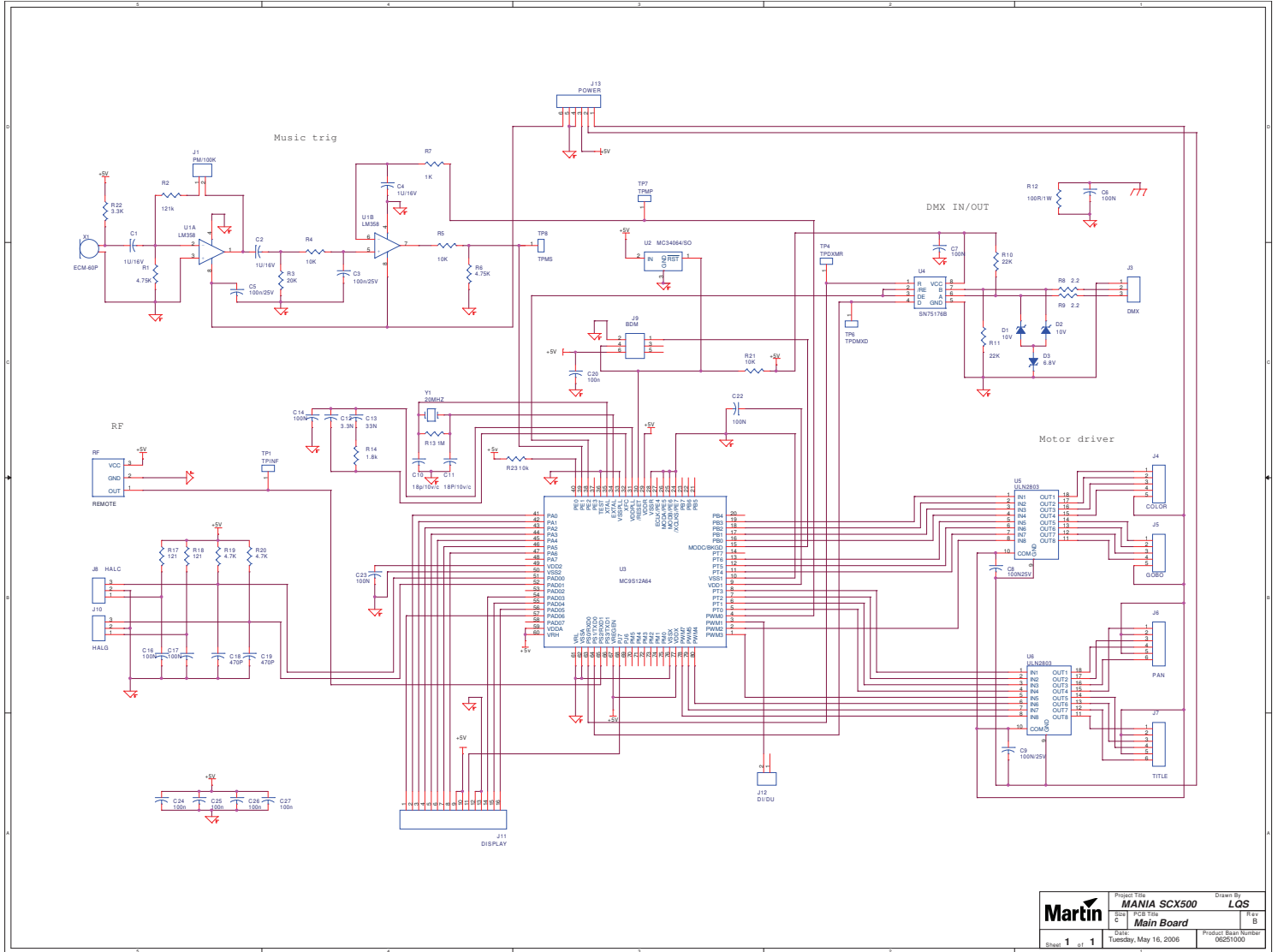
Martin	Project Title MANIA SCX500/EFX500		Drawn By HJ
	Size A	PCB Title Hall Sensor Board	Rev A
Date: Monday, April 18, 2005		Product Baan Number 62000111	
Sheet 1 of 1		2	

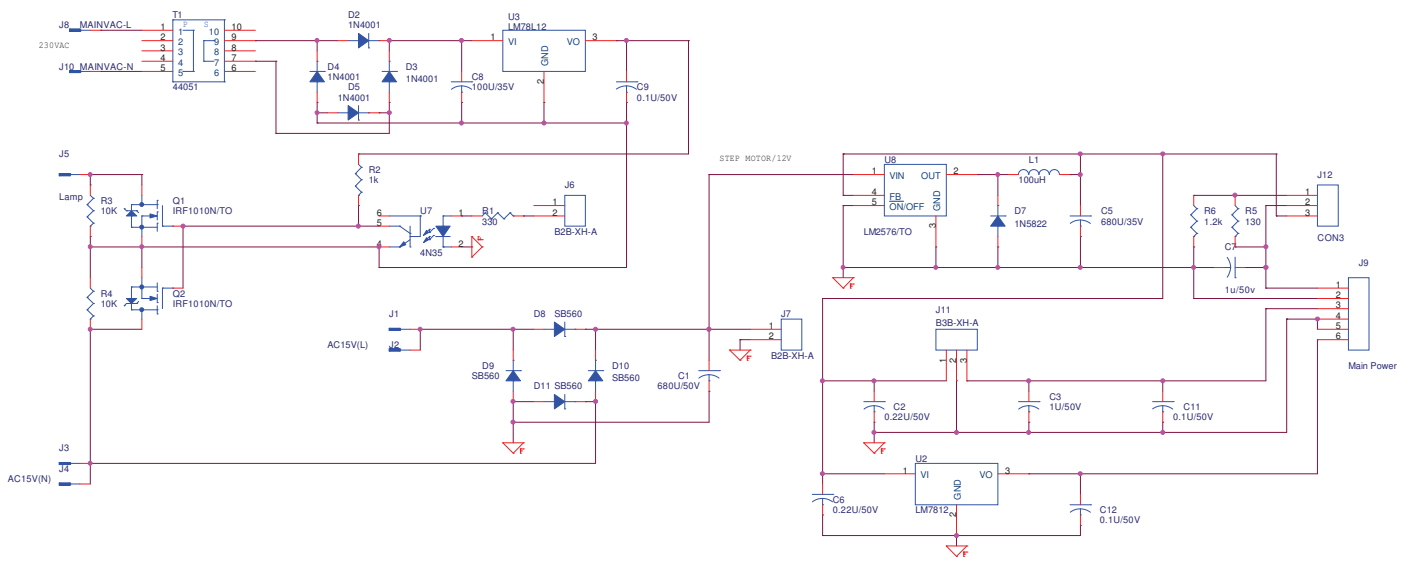


Martin	Project Title	MANIA SCX500	Drawn By	BS
	Size	A	PCB Title	Dummy Load PCBA
	Date:	Monday, March 05, 2007	Product Baan Number	62000110
Sheet	1	of	1	



Martin	Project Title	MANIA SCX500	Drawn By	BS
	Size	A	PCB Title	Display Board
Sheet 1 of 1	Date:	Monday, March 05, 2007	Product Baan Number	62000506
			Rev	B





Martin	Project Title	MANIA SCX500	Drawn By	HJ
	Size	PCB Title	Rev	C
		Power PCBA(EU)	Date:	Monday, March 05, 2007
Sheet 1 of 1			Product Stan Number	62000113